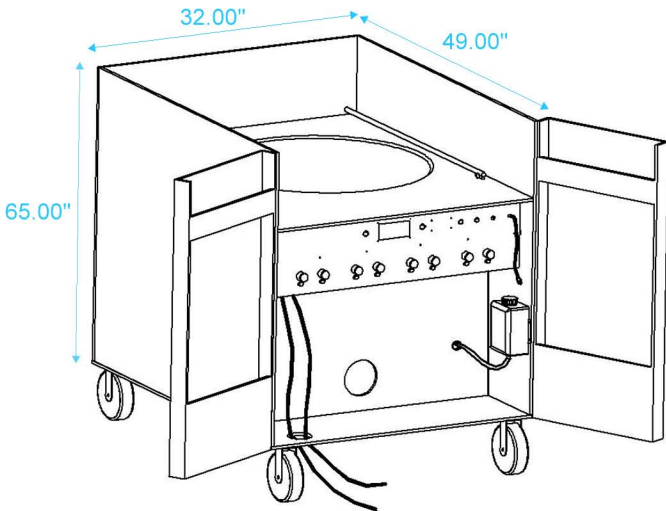




Flogo® 24"

Flogo® 24" Generator Dimensions



Specifications for 24"

Size of Unit: 32"L x 49"W x 65"H (including wheels).
Shipping Weight: 300 lbs, without fluid. 372 lbs, with fluid.
Material: Wood covered ABS road case.

Electrical Requirements:
Two 20 Amp, 110V circuits per machine.
Also available in 100V, 220V, and 12V DC.

Priming Time: 10-15 minutes.

Noise Levels: 58db @ 3 meters.

FPM = Flogos® Per Minute:
Depends on the desired thickness. On average, one every 15 to 20 seconds.

Colors Available: Black.

Flogo® Machine Controls:
This machine is semi automatic. Operator must watch the rate of Flogos® per minute.
Available timer control settings: 5 seconds - 60 seconds.

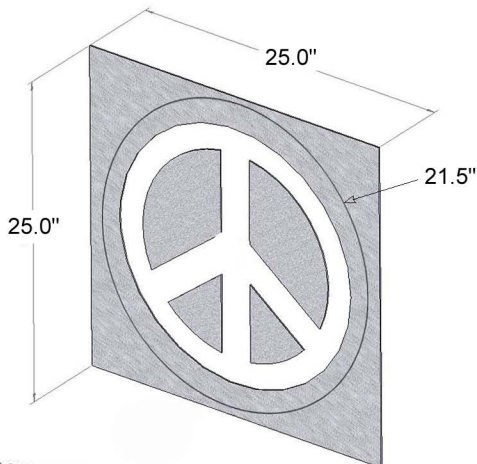
Required External Gases:
Flogo® requires a constant flow of helium and compressed air.

Air Compressor: A steady 50 PSI @ 5 SCFM.

Helium Usage:
NOTE: These calculations are for an average helium setting of 2.
1 head @ **16** cubic feet/hour X **3** heads (on Flogo® 24") = **48** cubic feet/hour
For a 300 cubic foot helium tank:
300 / 48 = 6.25 hours of use (@ setting 2)

Custom Flogos® must adhere to sample guidelines.

Flogo® 24" Stencil Dimensions



256-229-5551
800-745-8599

www.flogos.net