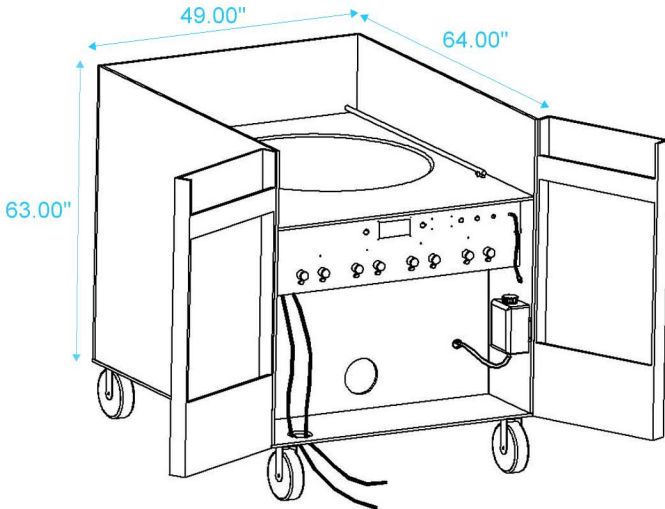




Flying Logos

Flogo® 36"

Flogo® 36" Generator Dimensions



Specifications for 36"

Size of Unit: 49"L x 64"W x 63"H (including wheels).
Shipping Weight: 325 lbs, without fluid. 509 lbs, with fluid.
Material: Wood covered ABS road case.

Electrical Requirements:
Two 20 Amp, 110V circuits per machine.
Also available in 100V, 220V, and 12V DC.

Priming Time: 10-15 minutes.

Noise Levels: 58db @ 3 meters.

FPM = Flogos® Per Minute:
Depends on the desired thickness. On average, one every 30 to 35 seconds.

Colors available: Black.

Flogo® Machine Controls:
This machine is semi automatic. Operator must watch the rate of Flogos® per minute.
Available timer control settings: 5 seconds - 60 seconds.

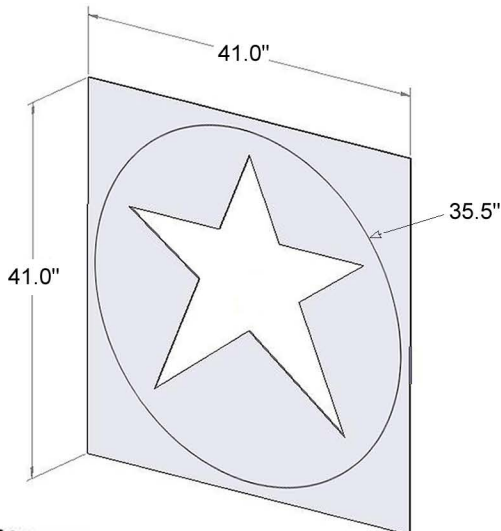
Required External Gases:
Flogo® requires a constant flow of helium and compressed air.

Air Compressor: A steady 50 PSI @ 5 SCFM.

Helium Usage:
NOTE: These calculations are for an average helium setting of 2.
1 head @ **16** cubic feet/hour X **4** heads (on Flogo® 36") = **64** cubic feet/hour
For a 300 cubic foot helium tank:
300 / 64 = 4.69 hours of use (@ setting 2)

Custom Flogos® must adhere to sample guidelines.

Flogo® 36" Stencil Dimensions



256-229-5551
800-745-8599

www.flogos.net