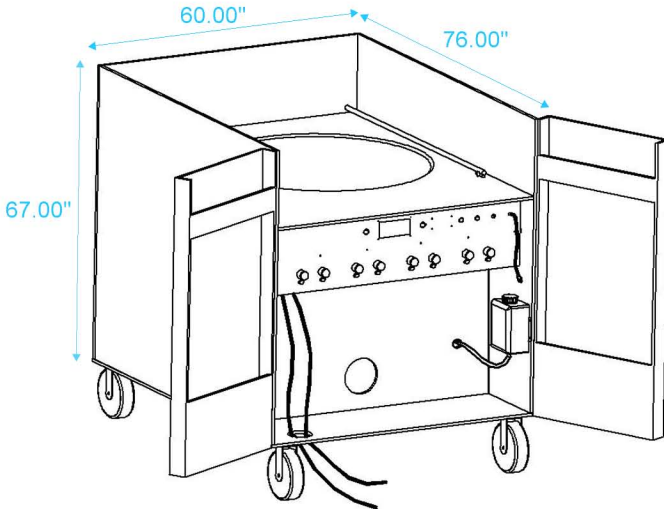


# Flogo® 48"



## Flogo® 48" Generator Dimensions



## Specifications for 48"

**Size of Unit:** 60"L x 76"W x 67"H (including wheels).  
**Shipping Weight:** 350 lbs, without fluid. 670 lbs, with fluid.  
**Material:** Wood covered ABS road case.

**Electrical Requirements:**  
Two 20 Amp, 110V circuits per machine.  
Also available in 100V, 220V, and 12V DC.

**Priming Time:** 10-15 minutes.

**Noise Levels:** 58db @ 3 meters.

**FPM = Flogos® Per Minute:**  
Depends on the desired thickness. On average, one every 40 to 50 seconds.

**Colors available:** Black.

**Flogo® Machine Controls:**  
This machine is semi automatic. Operator must watch the rate of Flogos® per minute.  
Available timer control settings: 5 seconds - 300 seconds.

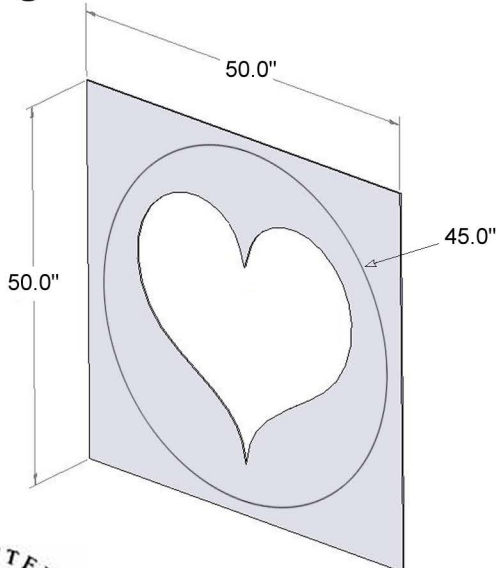
**Required External Gases:**  
Flogo® requires a constant flow of helium and compressed air.

**Air Compressor:** A steady 50 PSI @ 6 SCFM.

**Helium Usage:**  
*NOTE: These calculations are for an average helium setting of 2.*  
1 head @ 16 cubic feet/hour X 5 heads (on Flogo® 48") = 80 cubic feet/hour  
For a 300 cubic foot helium tank:  
 $300 / 80 = 3.75$  hours of use (@ setting 2)

Custom Flogos® must adhere to sample guidelines.

## Flogo® 48" Stencil Dimensions



256-229-5551  
800-745-8599

[www.flogos.net](http://www.flogos.net)